

feather&black

Perfect Bedtimes

Olivia Dressing Table

IMPORTANT READ CAREFULLY RETAIN FOR FUTURE REFERENCE

Thank you for buying the Olivia Dressing Table

- Please take a few quiet minutes to read these instructions
- This product contains small parts, keep small children clear of the assembly area

PRODUCT SAFETY

- All assembly fastenings should always be tightened properly and care should be taken that no fittings are loose
- Periodically check and ensure that all components are in their proper position, free from damage, and that all connectors are tight

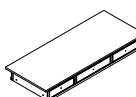
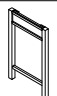
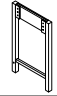




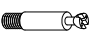

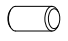

PRODUCT CARE

- Wipe clean using a soft damp cloth followed by dry cloth
- Do not use abrasives or cleaning products which may contain ammonia or solvents
- Take care when handling or moving the furniture. Careless handling can damage wooden furniture, try to lift rather than drag

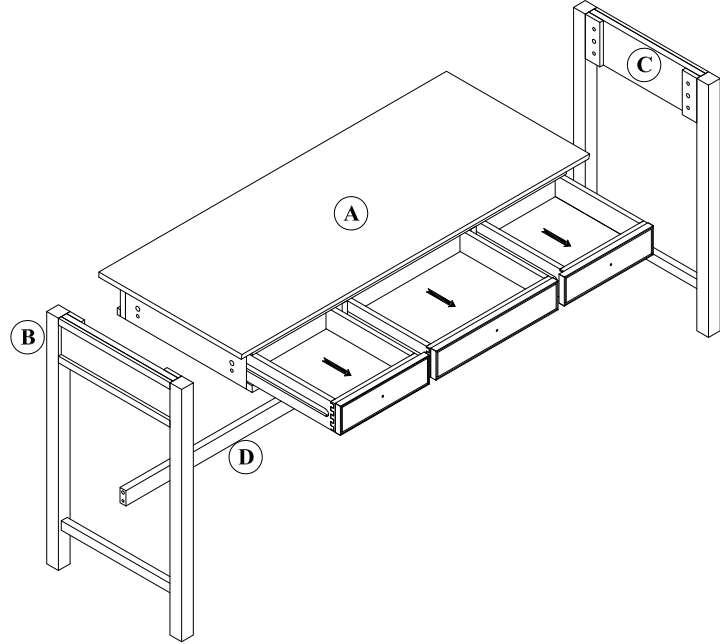
TOOLS REQUIRED

- Please use Allen key (included) to assemble the Olivia Dressing Table

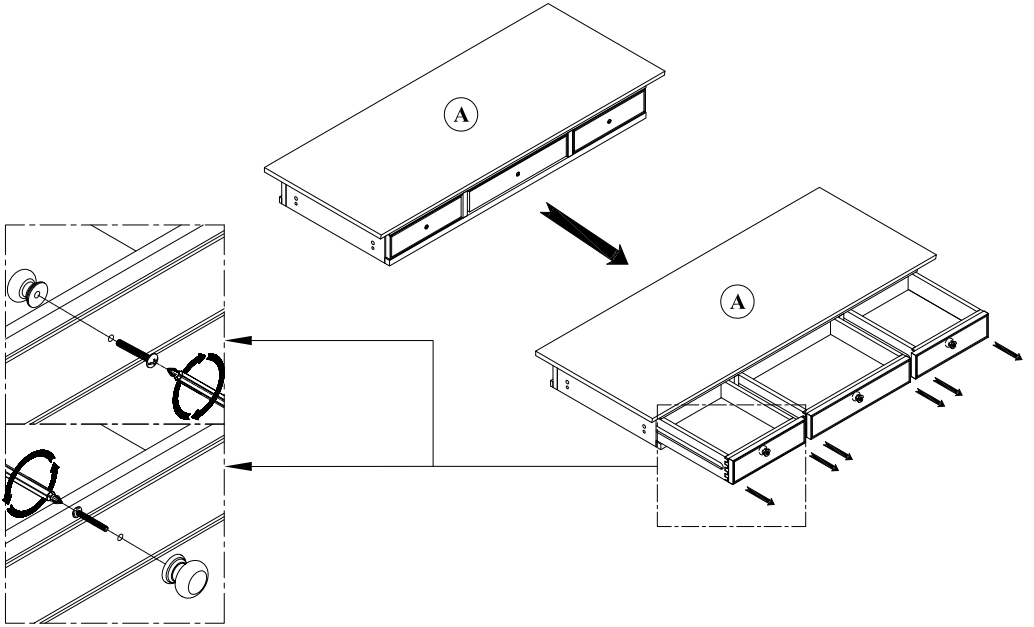


	PARTS	QTY
A		1PC
B		1PC
C		1PC
D		1PC
E	 Ø6x30mm	8PCS
F	 Ø6/16mm	8PCS
G	 Ø6	8PCS
H		2PCS
I		2PCS
J	 Ø10x20mm	6PCS
K		1PC

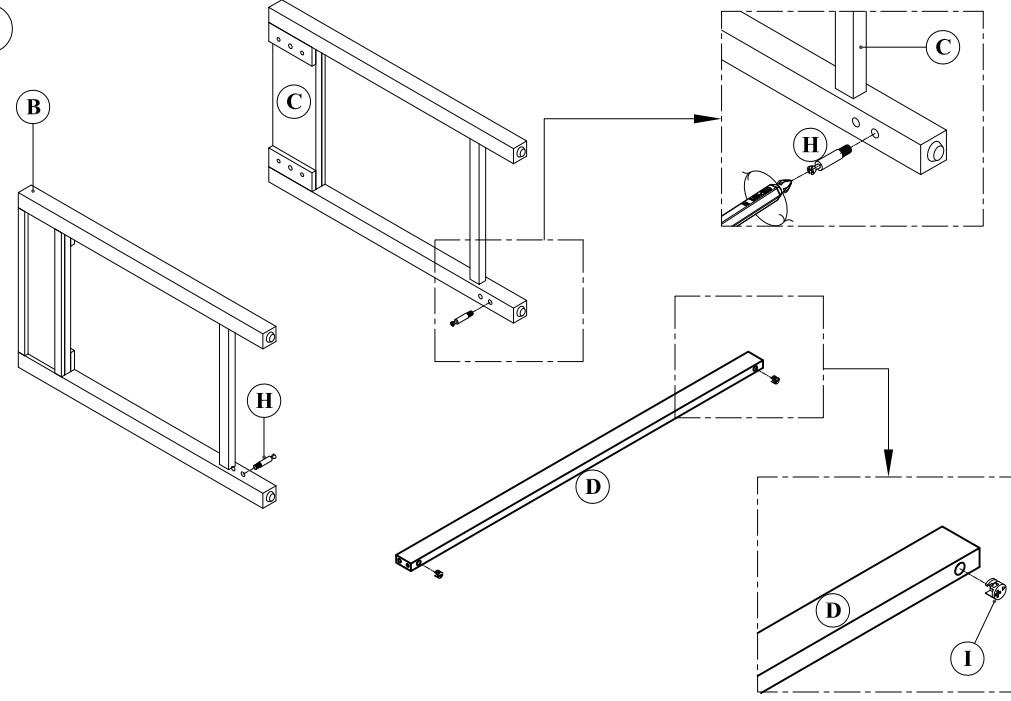
1



2

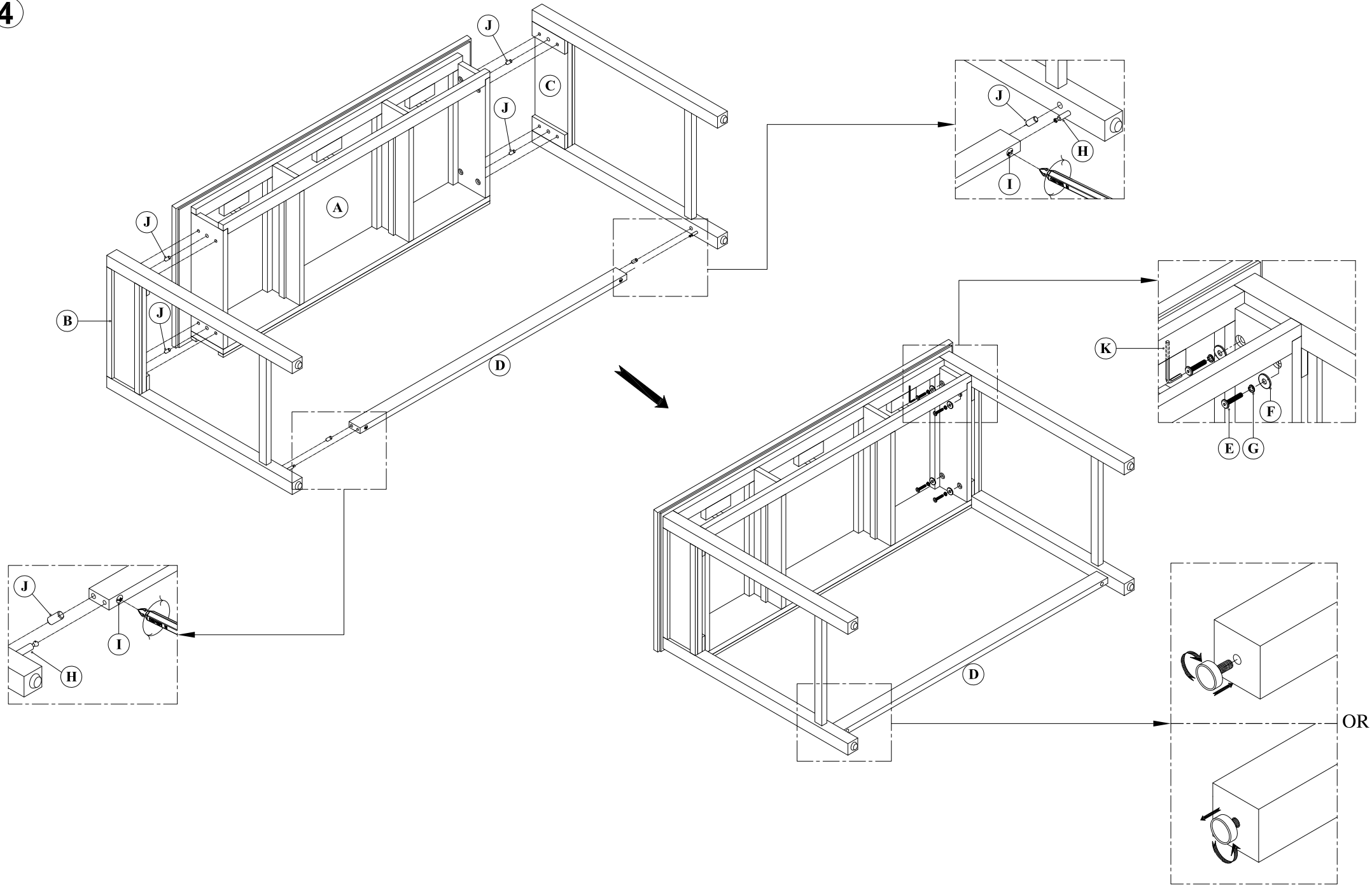


3



ASSEMBLY INSTRUCTIONS

4



5

